



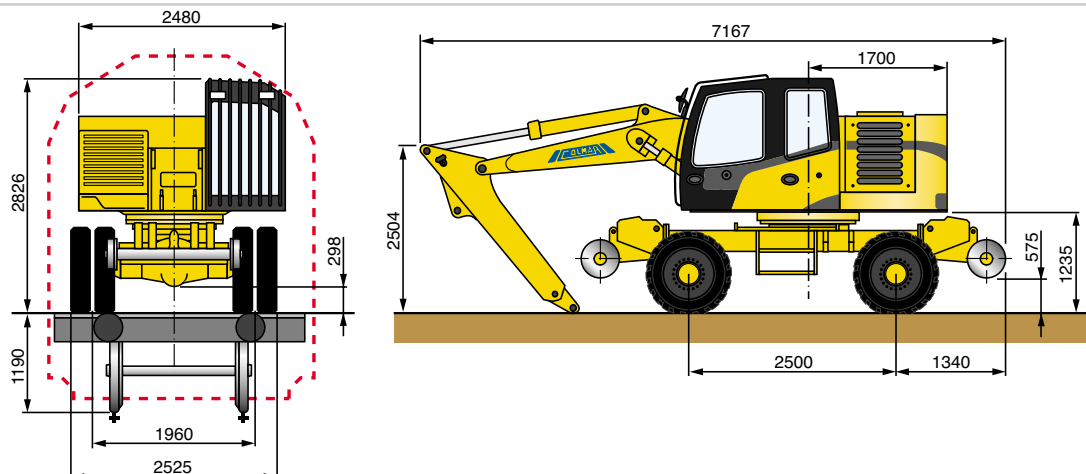
COLMAR rail/road loaders are used for the construction and maintenance of railway lines.

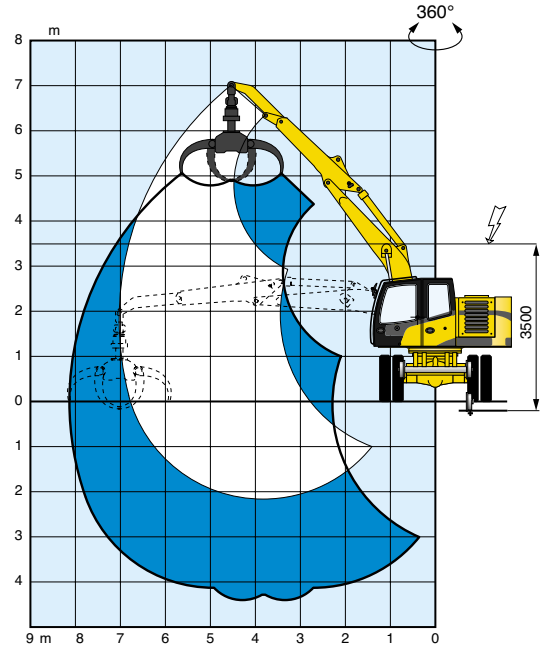
The machines can be equipped with different accessories: rail pincers, hydraulic or mechanical frame beam for moving sleepers; tamping unit; pincers for different usage; hydraulic hammer; hydraulic bush-grass cutter.

COLMAR rail/road loaders are made of a strong electro welded steel and actionned by hydraulic systems realized with high quality components.

The loaders are complete with security systems and are homologated to work in different countries.

## Dimensions





### ROAD/RAIL LOADERS

Weight of the machine	20 Ton
Max lifting load (Road - CD / CE) <sup>1</sup>	4550 daN (7 m)
Max lifting load (Rail - CD) <sup>1</sup>	5000 daN (7 m)
Telescopic counterweight	on request

### TECHNICAL SPECIFICATIONS

Diesel engine (DEUTZ)	I.D.
Engine power	79 Kw - 2300 Rpm
Number of cylinders/cubic capacity	6 / 6472 cm <sup>3</sup>
Cooling	air
Engine compartment	sound insulated
Engine supports	vibration damper

### HYDRAULIC SYSTEM

Pumps	axial piston double pump - constant press. regulation
Max capacity	184 + 184 L/min
High pressure circuit	flexible hoses / steel
Pipe fittings	ORFS
Hydraulic oil cooling	air-oil heat exchanger
Tyres front and rear tyres	twin tyres 9,00x20 XZM
Service and emergency brake	hydr. pedal control / split circuit on the 4 wheels
Parking brake	hydraulic control by a lever in the cab
Brakes on the rail wheels	block braking
Steering	hydraulic / gear pump
Transmission	hydr. by variable displacement axial pistons pump
Hydraulic motor	radial piston hydr. motor on epicyclic reduction gear
Axels	with epicyclic reduction gears on wheels
Front rail axle	swinging / hydraulic cylinders for swinging lock
Front-rear rail bogies	independent / hydraulic control
Gear box	hydraulic with 3 speeds
1st gear; 2nd gear; 3rd gear	4 Km/h; 12 Km/h; 25 Km/h
Driving cab - Seat	steel sheet/sound insulated - adjust. anatomic seats
Fuel tank capacity	130 L
Total capacity hydraulic oil circuit	340 L

<sup>1</sup>) CD = Counterweight in CE = Counterweight out

**Standard accessories** Hydraulic rotator 360° for accessories, lifting hook, 4 wheels drive, electronic system for load control.

**Optional** Air conditioner, automatic air conditioner, radio, catalytic converter, electronic system for load control, electro hydraulic generator, magnetic plate, tracked model, rear vision electronic device, arm height mechanical limit system.

### Road Loaders

HEIGHT (m)	OPERATING RANGE (m)				
	3.5	5	6	7	
6	Long.	-	5500	-	-
	360°	-	5300	-	-
4.5	Long.	-	5500	5100	-
	360°	-	5300	3950	-
3	Long.	-	5950	5700	-
	360°	-	5150	3800	-
1.5	Long.	8500	6750	5700	4550
	360°	8350	5000	3800	3200
0	Long.	9500	7200	5650	-
	360°	8150	4950	3750	-

Lifting capacity on 360° rotation expressed without safety factors.

### Rail Loaders

HEIGHT (m)	OPERATING RANGE (m)				
	3	5	6	7	
6	Long.	-	5500	-	-
	360°	-	3850	-	-
4.5	Long.	-	5500	-	-
	360°	-	3850	-	-
3	Long.	-	5950	5050	-
	360°	-	3750	2900	-
1.5	Long.	8500	6750	5850	5000
	360°	5700	3600	2850	2360
0	Long.	9500	7600	5800	-
	360°	5550	3500	2800	-

Lifting capacity on 360° rotation expressed without safety factors.

Colmar reserves the right of amending the data contained in this brochure at any time.