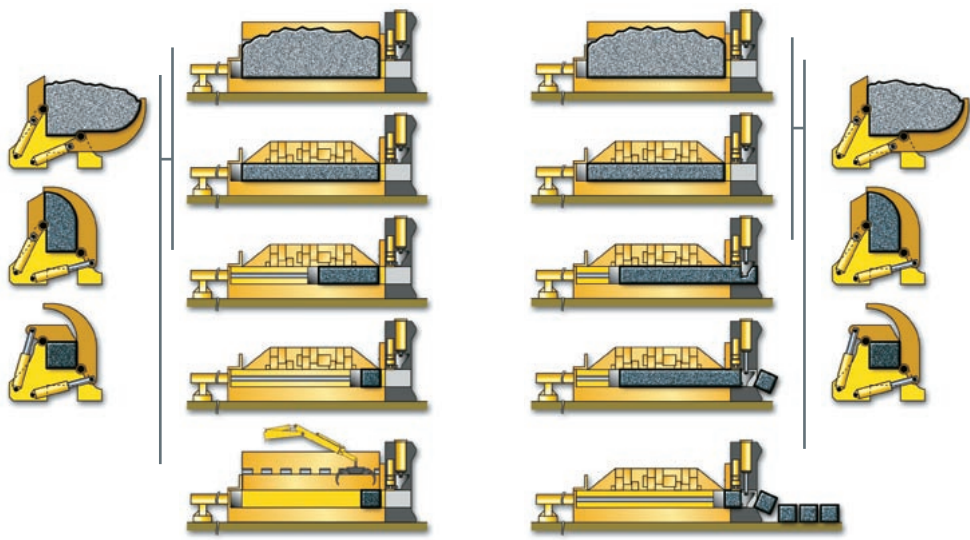


# SB4500/400



Radio remote control with automatic function

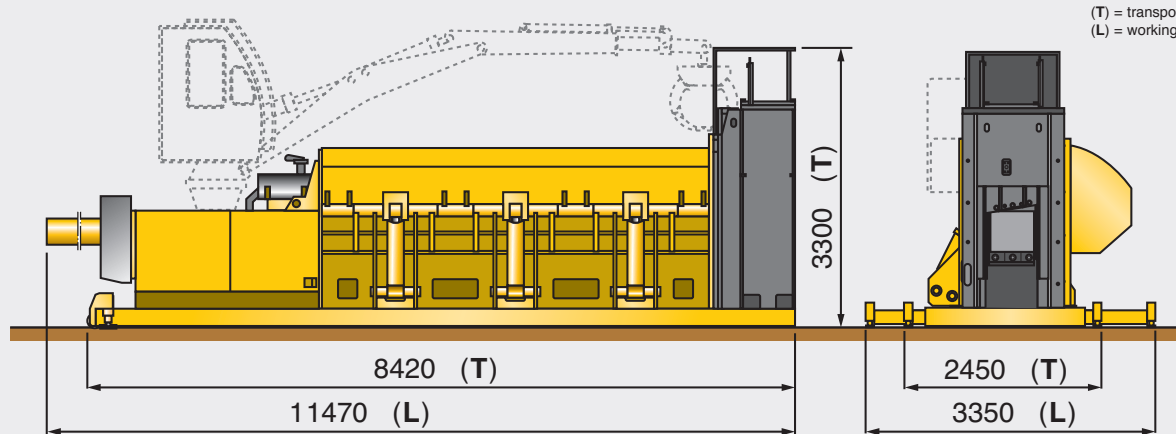


Baler mode

Shear mode

**Automatic sequence of shearing:**

- Bailing
- Movable wall opening
- Material stopped by blocking sheet head
- Shearing at pre-set length
- Pusher retraction
- Doors opening
- Rpm reduction to minimum



(T) = transportation configuration  
(L) = working configuration

SB4500/400	
<b>Operating characteristics</b>	
Max force 1. and 2. door	150 ton/each
Max force pushing piston	105 ton
Dimension of baled material	460 x 460 mm
Output (*)	4,0 - 8,0 ton/h
Bale density (*)	c.1100 - 1600 kg/mc
Max shear force	350 ton
Shear output (*)	3,0 - 6,0 ton/h
Average fuel consumption	10,0 lt/h
<b>Technical specification</b>	
Baler weight	21.500 kg
Shear weight	7.000 kg
Hydraulic unit weight	included on the baler
Total weight of the machine	28.500 kg
Length of container	4.500 mm
Structure	Fe 510 C
Container	Hardox® 400
Shear structure	Fe 510 C
Cutting blades	45NiCrMoV16
Diesel engine	turbo-charged direct injection
Engine power	97 kW - 2200 Rpm
Number of cylinders/cubic capacity	4 / 4400 c.c.
Engine cooling system	cooling liquid
Hydraulic system valves	6 way control valve
Operating pressure of the hydraulic system	240 bar / 280 bar
Hydraulic oil cooling system	air/oil cooler
Cutting blade length	550 mm
Shear greasing system	automatic
Hydraulic oil tank capacity	580 L
Hydraulic oil circuit total capacity	750 L
Fuel tank capacity	190 L
<b>Accessories</b>	
Standard	AG - HB - ACC
Optional	RC - LBA - WH
	AC - R - EE (90 kW)

LBA = Loading boom arm (weight 2500Kg), RC = Remote control, HB = hydraulic bulk, ACC = Automatic compacting cycle, P = Pre-loading, R = Radio, AG = Automatic greasing system, EE = Electric engine, WH = Hydraulic oil heating system, AC = Air conditioner.

(\*) The output and bale density values may vary depending on the properties of the material treated.

 **COLMAR S.P.A.**  
Headquarters  
Via Nazionale Adriatica n.539/593  
45031 Arquà Polesine (RO) ITALY  
Tel. +39 0425 93 21 33 ( Int. 4 )  
Fax +39 0425 46 50 52  
www.colmarspa.com  
colmarspa@colmarspa.com

 **COLMAR USA, Inc.**  
U.S.A.  
3790 Commerce Ct., Suite 100  
Wheatfield, New York 14120  
1-800-537-5204  
Ph. 716 - 693 - 9877  
Fax 716 - 693 - 9869  
www.colmarequipment.com  
info@colmarequipment.com  
sales@colmarequipment.com  
service@colmarequipment.com

 **COLMAR UK Ltd.**  
U.K.  
Unit 10, Wheel Forge Way  
Ashburton Park  
Ashburton Road West, Trafford Park  
Manchester M17 1EH  
Ph. 0161 848 8902  
Fax 0161 848 8903  
www.colmarspa.com  
colmaruk@colmarspa.com

 **ООО COLMAR БОКТОК**  
RUSSIA  
115088 Moscow,  
Yuzhnoportovaya ul.7  
Ph. +7 095 5405538  
Fax +7 095 7100848  
www.colmarspa.com  
info@oocolmar.ru



ISO 9001 CERT. N.1579

