

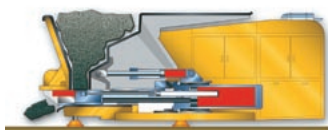
CAYMAN 777



1) Loading



2) Compaction of material (high density)

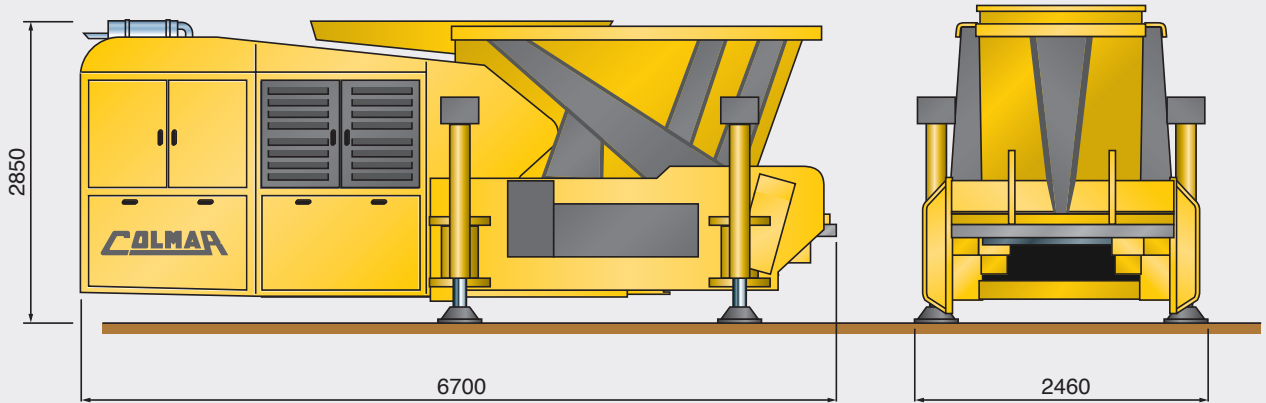


3) Cutting of material



4) Opening for loading





CAYMAN 777

Operating characteristics	
Shear force	700 ton
Blocking sheet force	110 ton
Number of cuts (empty)	4 cycles/min
Output	
Cars bales (*)	6/7 ton/h
Profiled sheets iron (guard rail) (*)	9/10 ton/h
Railway track (*)	10/11 ton/h
Medium - heavy materials bales (*)	7/8 ton/h
White goods (*)	5/6 ton/h
Length of sheared material (*)	450 mm
Technical specification	
Diesel engine	turbo-charged IVECO - CUMMINS
Engine power	230 HP / 169 Kw / 2200 Rpm
Number of cylinders/cubic capacity	6 / 5,9 l
Engine cooling system	cooling liquid
Machine structure	Weldox® 700
Length of blades	900 mm
Blades	reversible blades with 4 cutting edges
Conveyor blades	standard
Hydraulic components	REXROTH
Working pressure	350 bar
Hydraulic oil filter obstruction detector	no. 2 sensors
Hydraulic oil minimum level detector	automatic stop
Cooling system	radiator / hydraulic ventilation system
Fuel tank capacity	250 l
Hydraulic oil tank capacity	2000 l
Electrical system	
PLC	standard
Autodiagnostic	synoptic display
Weight	
Weight	32 ton
Accessories	
no. 4 machine lifting cylinders	optional
Automatic cycle	standard
Radio remote control	standard
Automatic greasing system	standard
Hydraulic power plant hood	standard
Optional: electrical motor	170 Kw (400V 50Hz)

(*) The output and bale density values may vary depending on the properties of the material treated.

COLMAR S.P.A.
Headquarters

Via Nazionale Adriatica n.539/593
45031 Arquà Polesine (RO) ITALY
Tel. +39 0425 93 21 33 (Int. 4)
Fax +39 0425 46 50 52
www.colmarspa.com
colmarspa@colmarspa.com

COLMAR USA, Inc.
U.S.A.

3790 Commerce Ct., Suite 100
Wheatfield, New York 14120
1-800-537-5204
Ph. 716 - 693 - 9877
Fax 716 - 693 - 9869
www.colmarequipment.com
info@colmarequipment.com
sales@colmarequipment.com
service@colmarequipment.com

COLMAR UK Ltd.
U.K.

Unit 10, Wheel Forge Way
Ashburton Park
Ashburton Road West, Trafford Park
Manchester M17 1EH
Ph. 0161 848 8902
Fax 0161 848 8903
www.colmarspa.com
colmaruk@colmarspa.com

ООО COLMAR БОЦКО
RUSSIA

115088 Moscow,
Yuzhnoportovaya ul.7
Ph. +7 095 5405538
Fax +7 095 7100848
www.colmarspa.com
info@oocolmar.ru



ISO 9001 CERT. N.1579

