

CAYMAN HORIZONTAL SHEARS

**COLMAR**

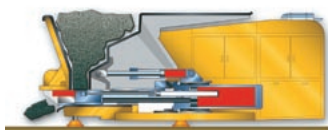
# CAYMAN 700



1) Loading



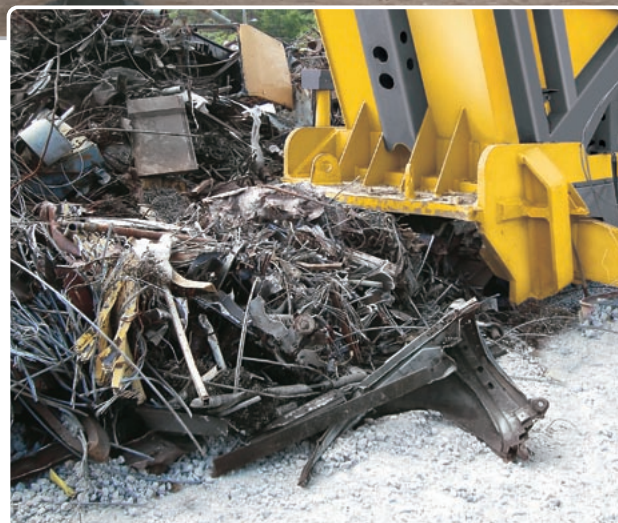
2) Compaction of material (high density)

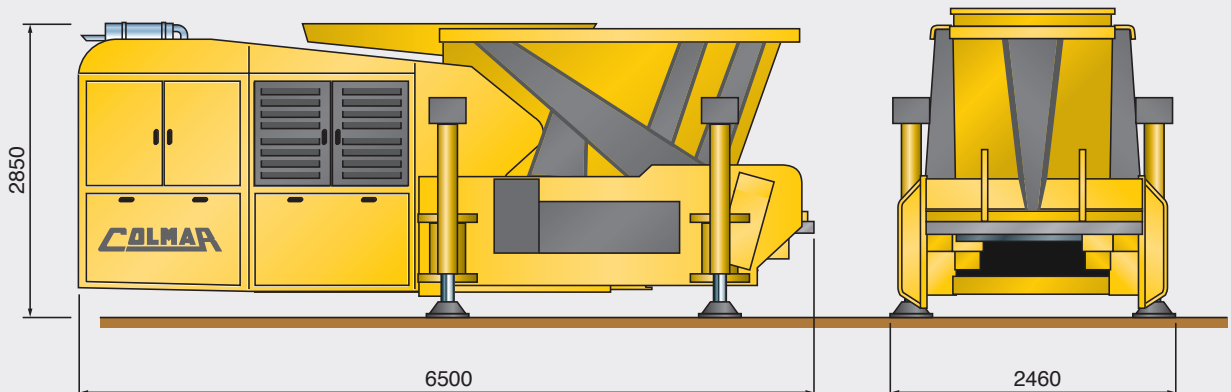


3) Cutting of material



4) Opening for loading





		CAYMAN 700
<b>Operating characteristics</b>		
	Shear force	700 ton
	Blocking sheet force	110 ton
	Number of cuts (empty)	2,4 cycles/min
<b>Output</b>		
	Cars bales (*)	5/6 ton/h
	Profiled sheets iron (guard rail) (*)	8/9 ton/h
	Railway track (*)	9/10 ton/h
	Medium - heavy materials bales (*)	6/7 ton/h
	White goods (*)	4/5 ton/h
	Length of sheared material (*)	450 mm
<b>Technical specification</b>		
	Diesel engine	turbo-charged IVECO - CUMMINS
	Engine power	170 HP / 125 Kw / 2200 Rpm
	Number of cylinders/cubic capacity	6 / 5,9 l
	Engine cooling system	cooling liquid
	Machine structure	Weldox® 700
	Length of blades	900 mm
	Blades	reversible blades with 4 cutting edges
	Conveyor blades	standard
	Hydraulic components	DENISON
	Working pressure	350 bar
	Hydraulic oil filter obstruction detector	no. 2 sensors
	Hydraulic oil minimum level detector	automatic stop
	Cooling system	radiator / hydraulic ventilation system
	Fuel tank capacity	250 l
	Hydraulic oil tank capacity	1000 l
<b>Electrical system</b>		
	PLC	standard
	Autodiagnostic	not available
<b>Weight</b>		
	Weight	31 ton
<b>Accessories</b>		
	no. 4 machine lifting cylinders	optional
	Automatic cycle	standard
	Radio remote control	standard
	Automatic greasing system	standard
	Hydraulic power plant hood	not available
<b>Optional: electrical motor</b>		125 Kw ( 400V 50Hz )

(\*) The output and bale density values may vary depending on the properties of the material treated.



**COLMAR S.P.A.**  
Headquarters  
Via Nazionale Adriatica n.539/593  
45031 Arquà Polesine (RO) ITALY  
Tel. +39 0425 93 21 33 ( Int. 4 )  
Fax +39 0425 46 50 52  
www.colmarspa.com  
colmarspa@colmarspa.com



**COLMAR USA, Inc.**  
U.S.A.  
3790 Commerce Ct., Suite 100  
Wheatfield, New York 14120  
1-800-537-5204  
Ph. 716 - 693 - 9877  
Fax 716 - 693 - 9869  
www.colmarequipment.com  
info@colmarequipment.com  
sales@colmarequipment.com  
service@colmarequipment.com



**COLMAR UK Ltd.**  
U.K.  
Unit 10, Wheel Forge Way  
Ashburton Park  
Ashburton Road West, Trafford Park  
Manchester M17 1EH  
Ph. 0161 848 8902  
Fax 0161 848 8903  
www.colmarspa.com  
colmaruk@colmarspa.com



**OOO COLMAR БОСТОК**  
RUSSIA  
115088 Moscow,  
Yuzhnoportovaya ul.7  
Ph. +7 095 5405538  
Fax +7 095 7100848  
www.colmarspa.com  
info@oocolmar.ru



ISO 9001 CERT. N.1579

