

CAYMAN HORIZONTAL SHEARS

COLMAR

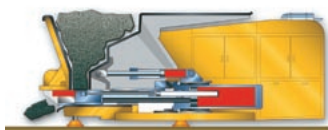
CAYMAN 1000



1) Loading



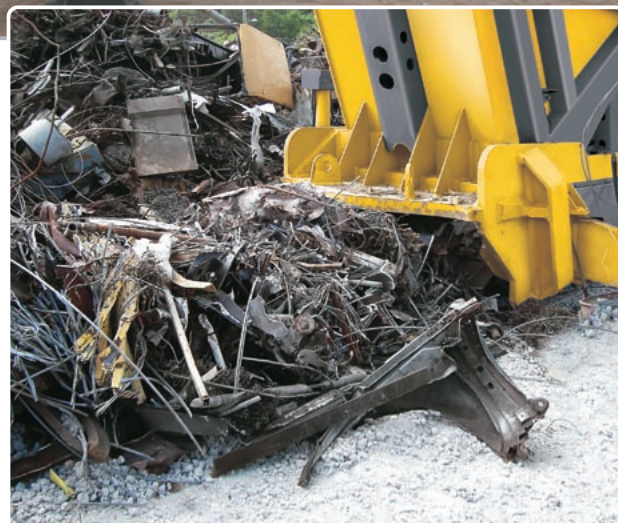
2) Compaction of material (high density)

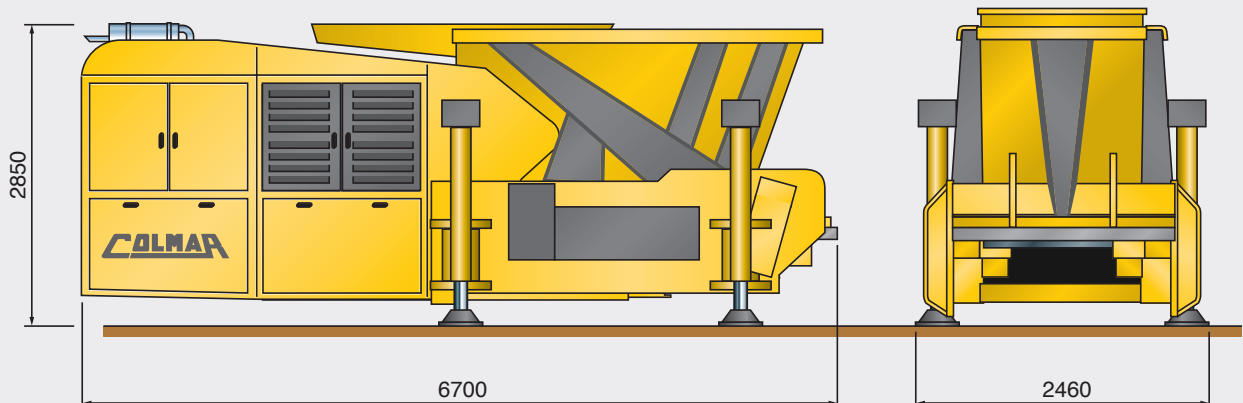


3) Cutting of material



4) Opening for loading






		CAYMAN 1000
Operating characteristics		
	Shear force	910 ton
	Blocking sheet force	110 ton
	Number of cuts (empty)	4 cycles/min
Output		
	Cars bales (*)	7/8 ton/h
	Profiled sheets iron (guard rail) (*)	10/11 ton/h
	Railway track (*)	11/12 ton/h
	Medium - heavy materials bales (*)	8/9 ton/h
	White goods (*)	6/7 ton/h
	Length of sheared material (*)	450 mm
Technical specification		
	Diesel engine	turbo-charged IVECO - CUMMINS
	Engine power	230 HP / 169 Kw / 2200 Rpm
	Number of cylinders/cubic capacity	6 / 5,9 l
	Engine cooling system	cooling liquid
	Machine structure	Weldox® 700
	Length of blades	900 mm
	Blades	reversible blades with 4 cutting edges
	Conveyor blades	standard
	Hydraulic components	REXROTH
	Working pressure	350 bar
	Hydraulic oil filter obstruction detector	no. 2 sensors
	Hydraulic oil minimum level detector	automatic stop
	Cooling system	radiator / hydraulic ventilation system
	Fuel tank capacity	250 l
	Hydraulic oil tank capacity	2000 l
Electrical system		
	PLC	standard
	Autodiagnostic	synoptic display
Weight		
	Weight	32 ton
Accessories		
	no. 4 machine lifting cylinders	optional
	Automatic cycle	standard
	Radio remote control	standard
	Automatic greasing system	standard
	Hydraulic power plant hood	standard
Optional: electrical motor		170 Kw (400V 50Hz)

(*) The output and bale density values may vary depending on the properties of the material treated.

 **COLMAR S.P.A.**
Headquarters
Via Nazionale Adriatica n.539/593
45031 Arquà Polesine (RO) ITALY
Tel. +39 0425 93 21 33 (Int. 4)
Fax +39 0425 46 50 52
www.colmarspa.com
colmarspa@colmarspa.com

 **COLMAR USA, Inc.**
U.S.A.
3790 Commerce Ct., Suite 100
Wheatfield, New York 14120
1-800-537-5204
Ph. 716 - 693 - 9877
Fax 716 - 693 - 9869
www.colmarequipment.com
info@colmarequipment.com
sales@colmarequipment.com
service@colmarequipment.com

 **COLMAR UK Ltd.**
U.K.
Unit 10, Wheel Forge Way
Ashburton Park
Ashburton Road West, Trafford Park
Manchester M17 1EH
Ph. 0161 848 8902
Fax 0161 848 8903
www.colmarspa.com
colmaruk@colmarspa.com

 **OOO COLMAR БОЦКО**
RUSSIA
115088 Moscow,
Yuzhnoportovaya ul.7
Ph. +7 095 5405538
Fax +7 095 7100848
www.colmarspa.com
info@oocolmar.ru



ISO 9001 CERT. N.1579

