

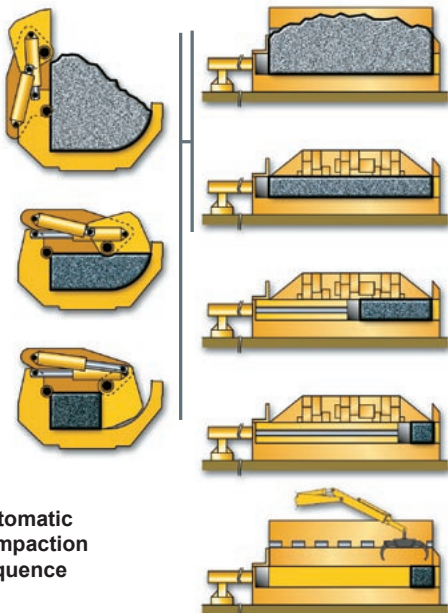
AUTOMATIC COMPACTING BALERS

COLMAR



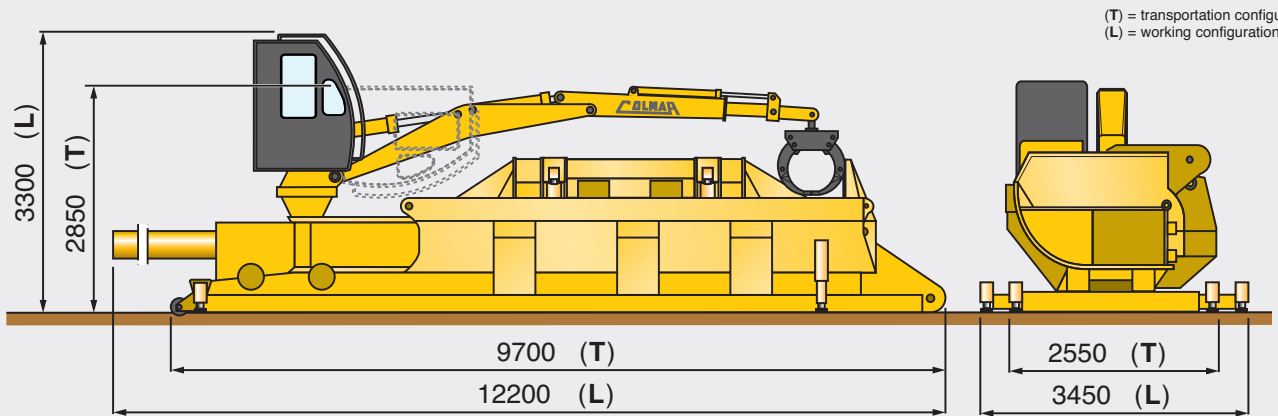
Remote control with automatic functions

B5500



Automatic compaction sequence





(T) = transportation configuration
(L) = working configuration

		B5500
Operating characteristics		
Max force 1. and 2. door		175 ton/each
Max force pushing piston		110 ton
Dimension of baled material		860 x 640 mm
Output (*)		9,0 - 11,0 ton/h
Bale density (*)		c.800 - 1200 kg/mc
Average fuel consumption		11.0 lt/h
Technical specification		
Weight		25.000 kg
Length of container		5.500 mm
Structure		Weldox® 700.T1A
Container		Hardox® 450
Diesel engine		turbo-charged electronic injection
Engine power		106 kW 2200 Rpm
Number of cylinders/cubic capacity		4 / 4400 cmc
Engine cooling system		cooling liquid
Hydraulic system valves		DENISON manifold
Operating pressure hydraulic system		250 bar
Cooling of hydraulic oil system		air/oil cooler
Hydraulic oil tank capacity		700 L
Hydraulic oil circuit total capacity		1100 L
Fuel tank capacity		190 L
Accessories		
	Standard	
	Optional	RC - ACC - AG - WH LBA - FS - AC - R - EE (90 kW)

LBA = Loading boom arm (weight 2500Kg), RC = Remote control, HB = hydraulic bulk, EE = Electrical engine, ACC = Automatic compacting cycle, AG = Automatic greasing system, WH = Hydraulic oil heating system, FS = Front stabilizers, AC = Air conditioner, R = Radio


(*) The output and bale density values may vary depending on the properties of the material treated.

Colmar reserves the right to amend the data contained within this brochure at any time.

 **COLMAR S.P.A.**
Headquarters
Via Nazionale Adriatica n.539/593
45031 Arquà Polesine (RO) ITALY
Tel. +39 0425 93 21 33 (Int. 4)
Fax +39 0425 46 50 52
www.colmarspa.com
colmarspa@colmarspa.com

 **COLMAR USA, Inc.**
U.S.A.
3790 Commerce Ct., Suite 100
Wheatfield, New York 14120
1-800-537-5204
Ph. 716 - 693 - 9877
Fax 716 - 693 - 9869
www.colmarequipment.com
info@colmarequipment.com
sales@colmarequipment.com
service@colmarequipment.com

 **COLMAR UK Ltd.**
U.K.
Unit 10, Wheel Forge Way
Ashburton Park
Ashburton Road West, Trafford Park
Manchester M17 1EH
Ph. **0161 848 8902**
Fax 0161 848 8903
www.colmarspa.com
colmaruk@colmarspa.com

 **ООО COLMAR БОЦТОК**
RUSSIA
115088 Moscow,
Yuzhnoportovaya ul.7
Ph. +7 095 5405538
Fax +7 095 7100848
www.colmarspa.com
info@oocolmar.ru



ISO 9001 CERT. N. 1579

