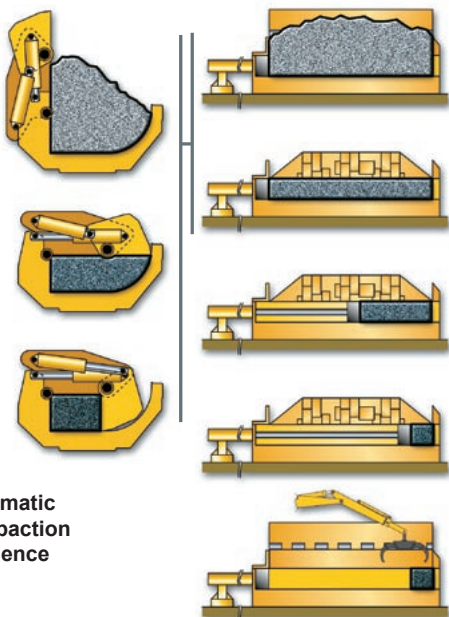


## B4600

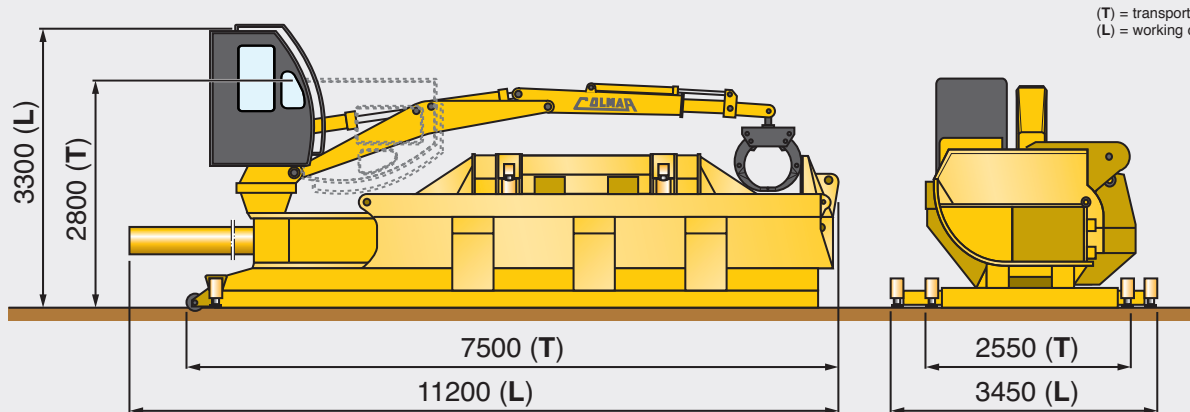


Automatic compaction sequence



Remote control with automatic functions





(T) = transportation configuration  
(L) = working configuration

		B4600
<b>Operating characteristics</b>		
	Max force 1. and 2. door	175 ton/each
	Max force pushing piston	110 ton
	Dimension of baled material	860 x 640 mm
	Output (*)	5,0 - 8,0 ton/h
	Bale density (*)	c.600 - 1000 kg/mc
	Average fuel consumption	10,0 lt/h
<b>Technical specification</b>		
	Weight	21.000 kg
	Length of container	4.600 mm
	Structure	Weldox® 700.T1A
	Container	Hardox® 450
	Diesel engine	turbo-charged direct injection
	Engine power	97 kW - 2200 Rpm
	Number of cylinders/cubic capacity	4 / 4400 cmc
	Engine cooling system	cooling liquid
	Hydraulic system valves	6 way control valve
	Operating pressure hydraulic system	250 bar
	Cooling of hydraulic oil system	air/oil cooler
	Hydraulic oil tank capacity	400 L
	Hydraulic oil circuit total capacity	700 L
	Fuel tank capacity	190 L
<b>Accessories</b>		
	Standard	
	Optional	LBA - FS - AG - WH AC - R - EE (90 kW)

LBA = Loading boom arm (weight 2500Kg), RC = Remote control, HB = hydraulic bulk, EE = Electrical engine,  
AG = Automatic greasing system, WH = Hydraulic oil heating system, FS = Front stabilizers, AC = Air conditioner, R = Radio

(\*) The output and bale density values may vary depending on the properties of the material treated.

Colmar reserves the right to amend the data contained within this brochure at any time.

 **COLMAR S.P.A.**  
Headquarters  
Via Nazionale Adriatica n.539/593  
45031 Arquà Polesine (RO) ITALY  
Tel. +39 0425 93 21 33 ( Int. 4 )  
Fax +39 0425 46 50 52  
www.colmarspa.com  
colmarspa@colmarspa.com

 **COLMAR USA, Inc.**  
U.S.A.  
3790 Commerce Ct., Suite 100  
Wheatfield, New York 14120  
1-800-537-5204  
Ph. 716 - 693 - 9877  
Fax 716 - 693 - 9869  
www.colmarequipment.com  
info@colmarequipment.com  
sales@colmarequipment.com  
service@colmarequipment.com

 **COLMAR UK Ltd.**  
U.K.  
Unit 10, Wheel Forge Way  
Ashburton Park  
Ashburton Road West, Trafford Park  
Manchester M17 1EH  
Ph. 0161 848 8902  
Fax 0161 848 8903  
www.colmarspa.com  
colmaruk@colmarspa.com

 **ООО COLMAR БОКТОК**  
RUSSIA  
115088 Moscow,  
Yuzhnoportovaya ul.7  
Ph. +7 095 5405538  
Fax +7 095 7100848  
www.colmarspa.com  
info@oocolmar.ru

