

AUTOMATIC COMPACTING BALERS

COLMAR

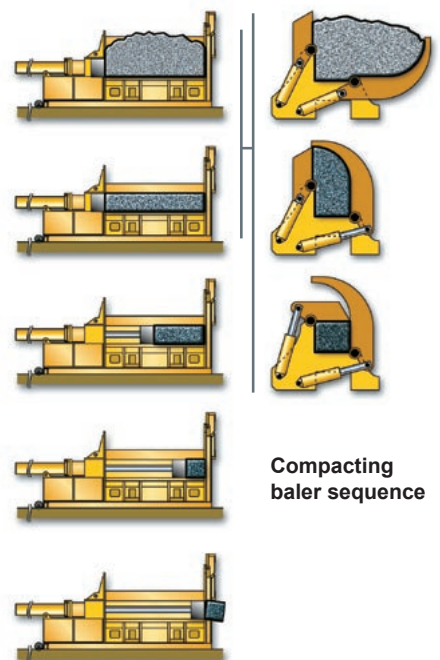


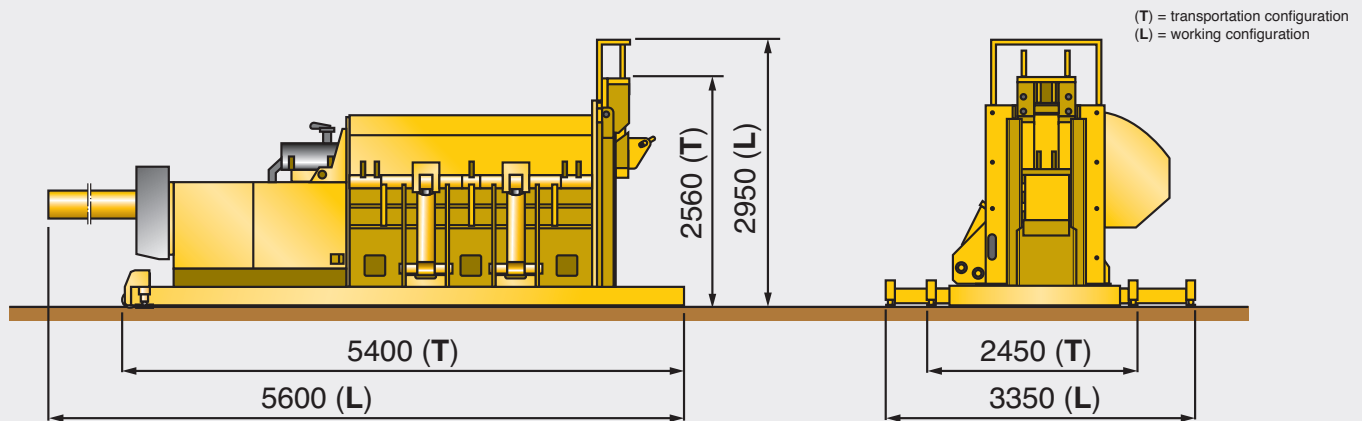
Remote control with automatic functions

B2000



Roll-on-roll-off system





		B2000
Operating characteristics		
	Max force 1. and 2. door	100 ton/each
	Max force pushing piston	90 ton
	Dimension of baled material	300 x 300 mm
	Output (*)	1,5 - 3,0 ton/h
	Bale density (*)	c.1100 - 1700 kg/mc
	Average fuel consumption	10,0 lt/h
Technical specification		
	Weight	14.000 kg
	Length of container	2.000 mm
	Structure	Fe 510 C
	Container	Hardox® 400
	Diesel engine	turbo-charged direct injection
	Engine power	106 kW - 2200 Rpm
	Number of cylinders/cubic capacity	4 / 4400 cmc
	Engine cooling system	cooling liquid
	Hydraulic system valves	6 way control valve
	Operating pressure hydraulic system	240 bar
	Cooling of hydraulic oil system	air/oil cooler
	Hydraulic oil tank capacity	500 L
	Hydraulic oil circuit total capacity	600 L
	Fuel tank capacity	190 L
Accessories		
	Standard	HB
	Optional	AG - WH RC - EE (90 kW)

LBA = Loading boom arm (weight 2500Kg), RC = Remote control, HB = hydraulic bulk, EE = Electrical engine, AG = Automatic greasing system, WH = Hydraulic oil heating system, FS = Front stabilizers, AC = Air conditioner, R = Radio


(*) The output and bale density values may vary depending on the properties of the material treated.

Colmar reserves the right to amend the data contained within this brochure at any time.

 **COLMAR S.P.A.**
Headquarters
Via Nazionale Adriatica n.539/593
45031 Arquà Polesine (RO) ITALY
Tel. +39 0425 93 21 33 (Int. 4)
Fax +39 0425 46 50 52
www.colmarspa.com
colmarspa@colmarspa.com

 **COLMAR USA, Inc.**
U.S.A.
3790 Commerce Ct., Suite 100
Wheatfield, New York 14120
1-800-537-5204
Ph. 716 - 693 - 9877
Fax 716 - 693 - 9869
www.colmarequipment.com
info@colmarequipment.com
sales@colmarequipment.com
service@colmarequipment.com

 **COLMAR UK Ltd.**
U.K.
Unit 10, Wheel Forge Way
Ashburton Park
Ashburton Road West, Trafford Park
Manchester M17 1EH
Ph. 0161 848 8902
Fax 0161 848 8903
www.colmarspa.com
colmaruk@colmarspa.com

 **ООО COLMAR БОСТОК**
RUSSIA
115088 Moscow,
Yuzhnoportovaya ul.7
Ph. +7 095 5405538
Fax +7 095 7100848
www.colmarspa.com
info@oocolmar.ru



ISO 9001 CERT. N. 1579

