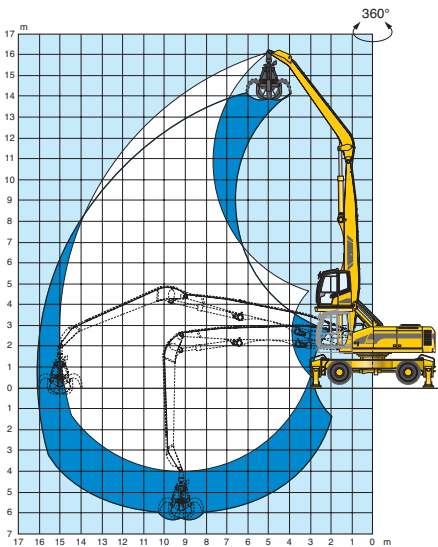


650

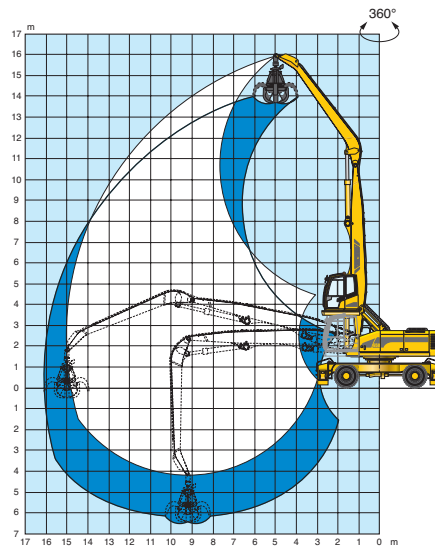


Lifting capacity diagram(s)

Machine on stabilizers



Machine on wheels



Machine on stabilizers

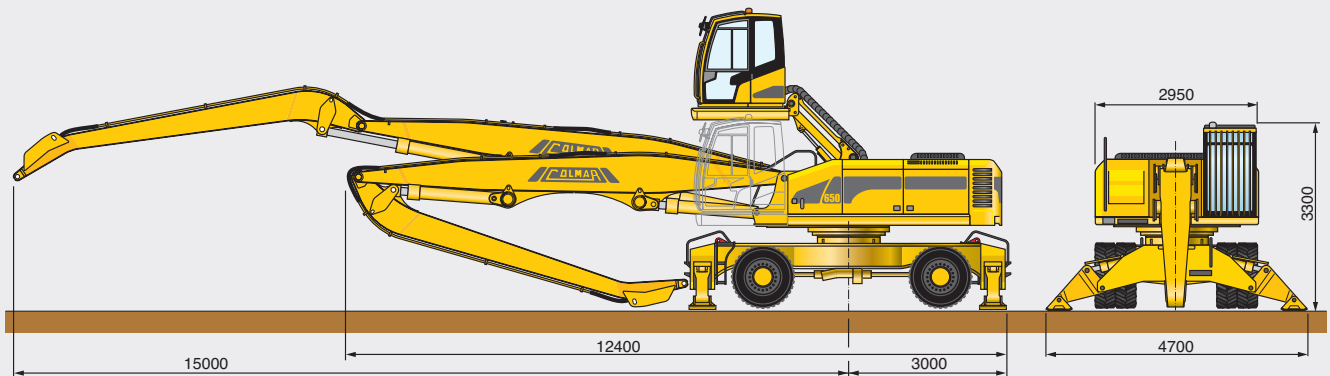
Height (m)	Reach (m)						
	5.3	6	8	10	12	14	15
-2	22800	14670	10460	7500	6150	-	-
0	23400	14900	10690	7650	6240	5290	-
2	25420	15500	11120	7900	6400	5370	5000
4	-	16580	11690	8210	6580	5470	-
6	-	17580	12240	8510	6740	-	-
8	-	-	12640	8740	6890	-	-
10	-	-	12850	8850	7650	-	-
12	-	-	13170	9610	-	-	-
14	-	-	13500	-	-	-	-

Lifting capacity around 360° expressed in DaN without safety factor

Machine on wheels

Height (m)	Reach (m)						
	5.3	6	8	10	12	14	15
-2	14290	7900	5370	4000	3100	-	-
0	15330	8200	5640	4160	3200	2200	-
2	18900	9030	6130	4460	3370	2270	2200
4	-	10380	6800	4820	3580	2360	-
6	-	11670	7440	5180	3770	-	-
8	-	-	7900	5450	3920	-	-
10	-	-	8140	5580	4760	-	-
12	-	-	8520	6470	-	-	-
14	-	-	8890	-	-	-	-

Lifting capacity around 360° expressed in DaN without safety factor



		650
Operating characteristics		
Machine weight		40 ton
Max lifting arm capacity/boom extension		5000 daN / 15 m
Loading boom		fixed L: 15 m
Technical characteristics		
Diesel engine		Turbo D.I. Common Rail (Perkins)
Engine power		186 kW - 2200 Rpm
N° of cylinders / cubic capacity		6 / 6600 c.c.
Cooling system		cooling liquid
Engine compartment		sound insulated
Engine supports		damper monted
Hydraulic system		
Pumps		N° 2 axial piston, n° 3 gear
Operating pressure		330 bar
High pressure system		flexible hoses / tubes
Pipe fittings		ORFS
Oil cooling		air/oil cooler
Front and rear tyres		N°8 solid beads tires, size: 12.00/24
Service and emergency brakes		pedal operated hydraulics
Parking brake		mechanical
Power steering		gear pump
Transmission		4 wheel drive
Hydraulic motor		variable disp. axial pistons
Axles		epicyclic reduction gear (hubs)
Swing axle locking		hydraulic
Speed first gear		0-6 km/h
Speed second gear		0-17 km/h
Sound insulated cabin		pantograph hydraulic elevation
Seat		anatomically adjustable
Fuel tank capacity		450 L
Hydraulic oil tank capacity		500 L
Accessories		
Standard		RS - FS - 4WD - MCG
Optional		AC - R - ACG EG (21 kW) MP (Ø1450 mm)


AC = Air conditioner, R = Radio, EG = Electro hydraulic generator, FB = Front hydraulic blade, MP = Magnetic plate, FS = Front hydraulic stabilizers, RS = hydraulic rear stabilizers, 4WD = 4 wheel drive, MCG = Manual centralized greasing system, ACG = Automatic centralized greasing system.

Colmar reserves the right to amend the data contained within this brochure at any time.

 **COLMAR S.P.A.**
Headquarters
Via Nazionale Adriatica n.539/593
45031 Arquà Polesine (RO) ITALY
Tel. +39 0425 93 21 33 (Int. 4)
Fax +39 0425 46 50 52
www.colmarspa.com
colmarspa@colmarspa.com

 **COLMAR USA, Inc.**
U.S.A.
3790 Commerce Ct., Suite 100
Wheatfield, New York 14120
1-800-537-5204
Ph. 716 - 693 - 9877
Fax 716 - 693 - 9869
www.colmarequipment.com
info@colmarequipment.com
sales@colmarequipment.com
service@colmarequipment.com

 **COLMAR UK Ltd.**
U.K.
Unit 10, Wheel Forge Way
Ashburton Park
Ashburton Road West, Trafford Park
Manchester M17 1EH
Ph. **0161 848 8902**
Fax 0161 848 8903
www.colmarspa.com
colmaruk@colmarspa.com

 **ООО COLMAR БОЦТОК**
RUSSIA
115088 Moscow,
Yuzhnoportovaya ul.7
Ph. +7 095 5405538
Fax +7 095 7100848
www.colmarspa.com
info@oocolmar.ru



ISO 9001 CERT. N.1579

